

# N 3HBAS G CD

## 1901 Tap Range 1901 3 Hole Basin Mixer with Ceramic Disc Valves Gold



| Specification                     |                                   |
|-----------------------------------|-----------------------------------|
| Style:                            | Traditional                       |
| Product Type:                     | Bathroom Taps                     |
| Finish/Colour:                    | Vintage Gold                      |
| Main Construction Material:       | Brass                             |
| Mount Type:                       | Deck Mounted                      |
| Handle Type:                      | Crosshead                         |
| Connection Inlet:                 | 1/2 x 1/2 x300mm Flexi Tails      |
| Number of Tap Holes Required:     | 3                                 |
| Valve/Cartridge Type:             | 1/4 Turn 1/2" Ceramic Disc Valves |
| Plumbing System Suitability       | All                               |
| Working Pressure Range:           | Min. 0.2, Max. 5.0                |
| Maximum Hot Water Temperature: °c | 65                                |
| Maximum Dynamic Pressure: (bar)   | 5                                 |
| Maximum Static Pressure: (bar)    | 10                                |
| Flow Type:                        | Single                            |
| Flow Rate: (l/min @ 3 bar)        | 38.5                              |
| Connection Outlet:                | N/A                               |
| Isolation Included:               | No                                |

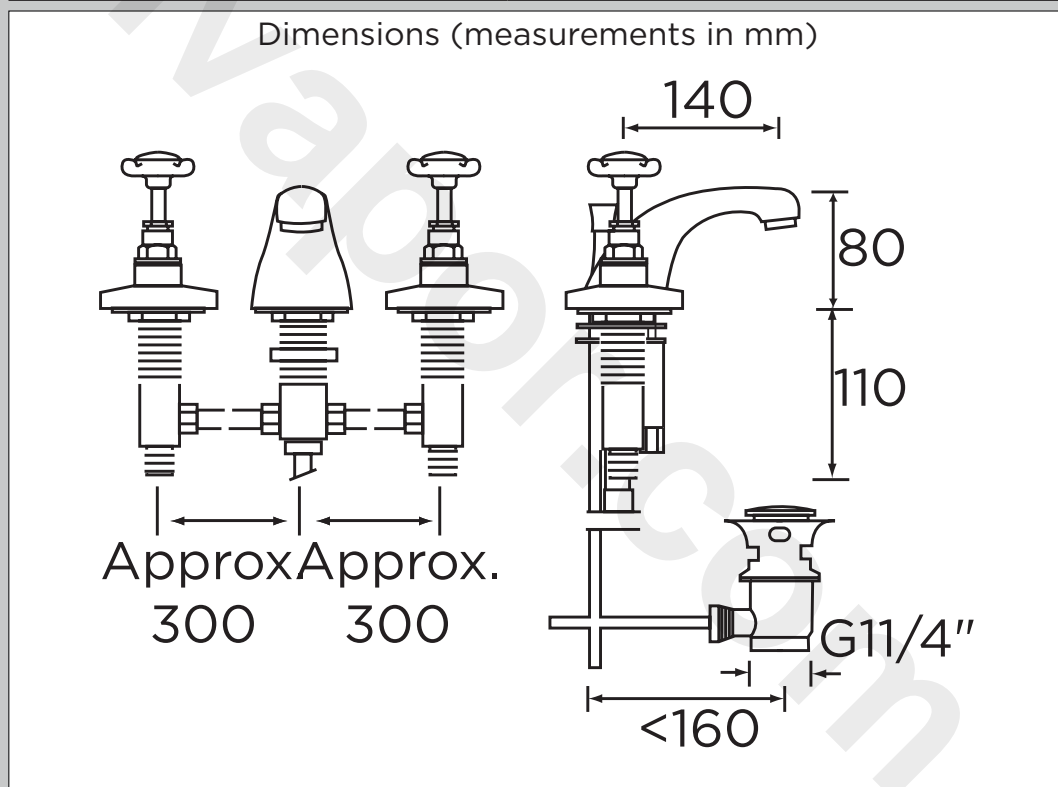
### Features:

- Metal heads
- Ceramic Discs
- Pop-up waste

### Product Certifications:



For more products, visit our website:



| Flow Rates (l/min)    |      |      |      |      |      |      |
|-----------------------|------|------|------|------|------|------|
| System Pressure (bar) | 0.2  | 0.5  | 1    | 2    | 3    | 5    |
| N 3HBAS G CD          | 10.1 | 15.2 | 22.2 | 31.5 | 38.5 | 49.7 |

TECHNICAL  
DATA  
SHEET



**BRISTAN**  
TAPS & SHOWERS

D3